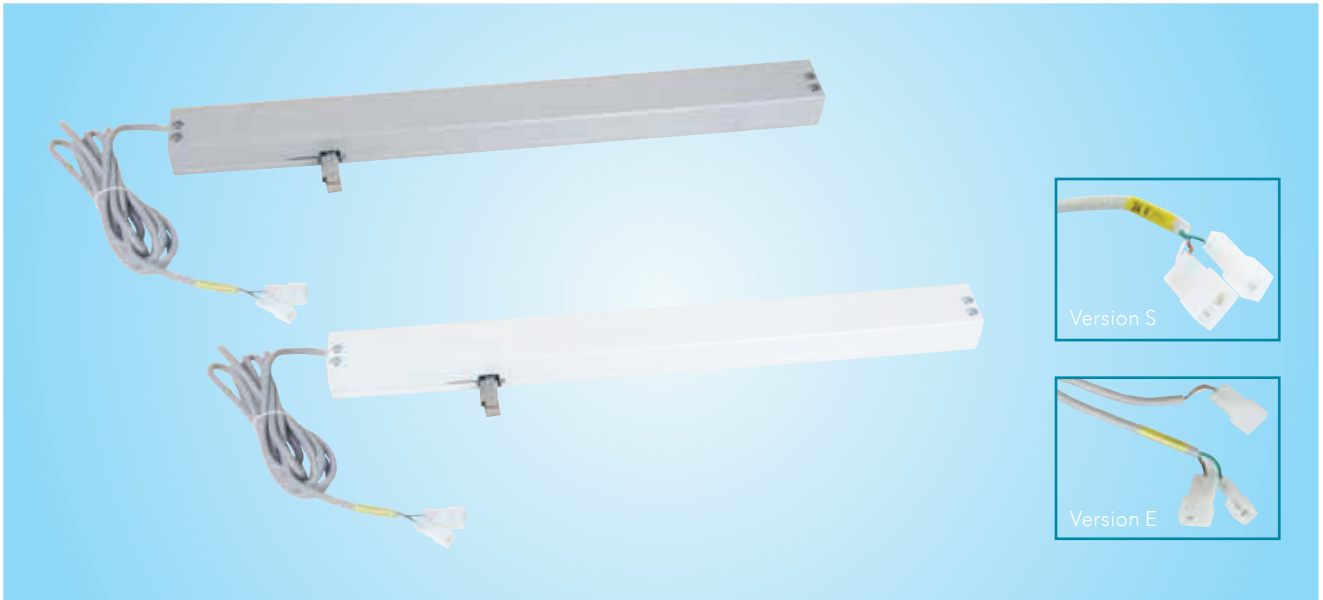


WMX526-N / WMX826-N

CHAIN DRIVE ACTUATOR 24V



Description

- designed for surface mounting
- WMX526 for comfort ventilation
- WMX826 for smoke and comfort ventilation
- to be used with tophung, bottomhung and turning windows
- direct cable connection under the integrated cablecover
 - no need for junction box
- to be used together with $\pm 24V$ control units or control units with MotorLink™
- can be used together with espagnolette WMB
- external safety edge can be connected directly to the actuator (actuator version 'E')
- synchronization of up to four window actuators – no need for an external synchronization module
- genuine position feedback and three speeds when using control unit with MotorLink™
- soft close function
- the electronics in this actuator can be programmed to suit specific requirements – i.e. pressure- and traction force, stroke, speed/sound level – with the WAT 100 programming box, also possible following installation
- built-in electronic load switch-off/end stop
- electronic actuator with micro controller
- the actuator has an integrated reverse function to ensure a prolonged life span of the window gaskets
- easy mounting
- the actuator is ETL certified

Actuator variants

The actuator is available in four different versions: single actuator (-1), double actuator (-2), triple actuator (-3) and quad actuator(-4).

The actuators are equipped with a patented synchronization function, in which the actuators communicate directly with each other, which ensures the actuators operate at exactly the same speed and position. On large windows up to four actuators can be mounted on the same window – with no need for an external synchronization module.

Pressure safety function

The risk of entrapment is reduced as the actuators are programmed to reverse if they encounter obstacles when closing. The set points determining when the actuators are to reverse are individually adjustable and can be adjusted also after installation using the programming box WAT 100.

Opening speeds

Actuators connected to ± 24 VDC control units (e.g. WUC) have one chain speed – see the following page for opening speed.

Actuators connected to control units with MotorLink™ (e.g. WSC xxM) have three different speeds:

- slow speed by soundless automatic control of the windows
- faster speed by audible manual (keypads) control of the windows
- fast speed by smoke ventilation and security functions

CHAIN DRIVE ACTUATOR 24V

Specifications	
Force (pressure/tractive)	WMX 526: max. 150N/150N - WMX 826: max. 200N/200N (see pressure/traction force diagram) To achieve 150N respectively 200N pressure the actuator is to be mounted correctly according to the instructions
Locking force	3000N
Chain stroke	50 - 500mm in increments of 10mm. Special version up to 600mm possible (only for bottom hung windows) – contact Smoke Control Solutions Ltd for further information.
Speed	WMX 526: 7mm/s / WMX 826: 9mm/s (programmable 3 - 9mm/s)
Window type	tophung, bottomhung and turning windows
Window width	min. 700mm, maximum width depends on the window construction and the number of window actuators
Window height	min. 700mm, maximum height depends on the window construction and the number of window actuators
Power consumption	24 VDC (max. 10% ripple)
Voltage	20-36 VDC
Open-circuit voltage	max. 36 VDC
Current consumption	WMX 526: max. 0.5A / WMX 826: max. 1A
Operating conditions	-5°C - +74°C. Max. 90% relative humidity (not condensing)
Switch-on-duration	ED 40% (max. 4min. per 10min)
Material	Lacquered zinc house with 13mm zinc chromate passivated steel chain and 3-core 0,34mm ² cable with fast-in/fast-on connectors for connection to the extension cable WLL WMX 526/826: 5m grey silicone cable WMX 526/826 UL: 2m grey respectively white UL approved cable
Colour	aluminium (RAL 9006) or white (RAL 9010), other RAL colours available at additional price
Size	487 x 30,5 x 42mm (W x H x D)
Connection cable	extension cable as a standard product (WLL cable) is available and is to be ordered separately
Weight	1.3kg
IP rating	IP20 when surface mounted / IP32 when concealed
Certification	ETL
Fire test	WMX 826: Undergoing tests in accordance with DIN 18232, part 3 (30minutes at 300°C)
Life span	tested with 10,000 opening and closing movements
Delivery	UL actuator with 2m cable + connectors / not UL actuator with 5m cable + connectors
To be ordered separately	brackets and standard extension cables (WLL)
Note	we reserve the right to make technical changes

Brackets	Item no.
Chain bracket with split	WAB 460
Window fitting for wooden windows	WAB 867
Multi bracket	WAB 801
Actuator bracket WAB 804 RAL 9006 (aluminium)	WAB 804 0101
Actuator bracket WAB 804 – RAL 9010 (white)	WAB 804 1101
Z bracket for actuator WMX 804/WMX 824	WAB 805
Actuator bracket	WAB 824B
Actuator bracket for bottomhung window	WAB 845

Smoke Control Solutions Ltd - Faraday Court, Faraday Road, Crawley, West Sussex RH10 9PU

Tel: 0845 500 9000 Fax: 0845 500 7000

Email info@smokecontrolsolutions.com - Web: www.smokecontrolsolutions.com

CHAIN DRIVE ACTUATOR 24V

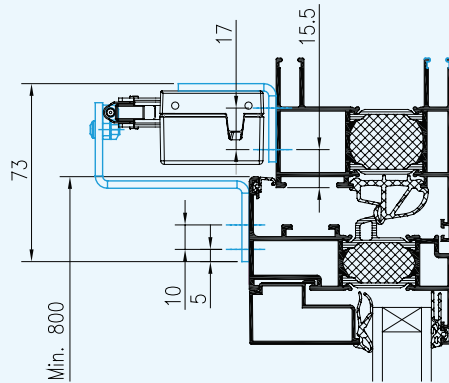
Product code composition						
WMX526 WMX826	n	y	xxx	z	v	3
						Product version: 3
						Certification: 0 = CE, U = CE + UL/ETL
						Actuator hardware version: S = standard, E = with connection for pressure safety
						Chain opening: 50 – 500mm, in increments of 10mm (050 = 50mm)
Colour: G = grey, W = white						
Actuator variant: 1 = single, 2 = double, 3 = triple, 4 = quad						

Explanation of product code structure

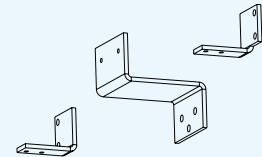
WMX 526-2G070E 03

WMX 526 actuator, double synchronisation grey, 70mm chain opening, with connection for pressure safety, with CE certification, product version 3

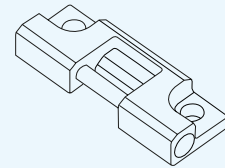
Installation suggestion 1



* The cable cover must face towards the window hinge!

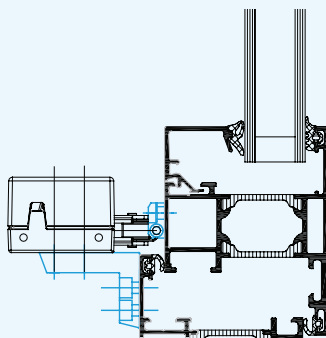


WAB 805

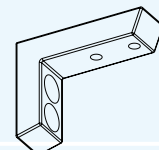
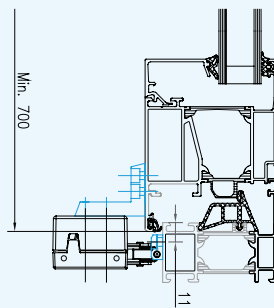


WAB 801

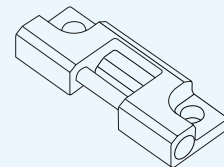
Installation suggestion 2



Installation suggestion 3



WAB 804 - 0101 grey / -1101 white



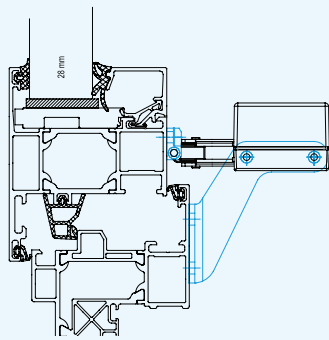
WAB 801

IMPORTANT!

Mount the actuator so the bottom of the housing faces towards the centre of the window

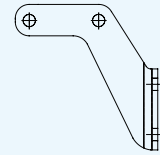
CHAIN DRIVE ACTUATOR 24V

Installation suggestion 4

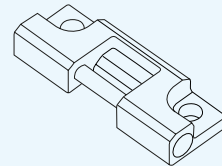


IMPORTANT!

Mount the actuator so the bottom of the housing faces towards the centre of the window

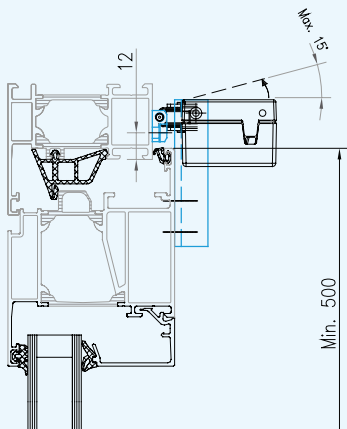


WAB 824B



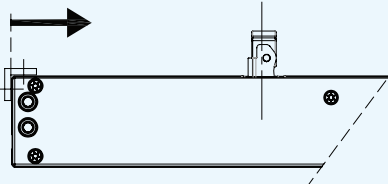
WAB 801

Installation suggestion 5

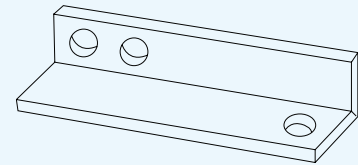
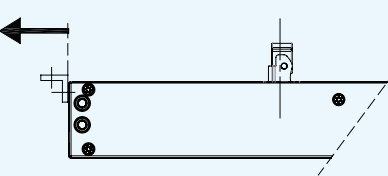


IMPORTANT! Mount the actuator so the bottom of the housing faces towards the centre of the window

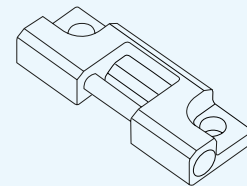
Actuator with limited 15° rotation mounted:



Actuator unlimited rotation mounted:

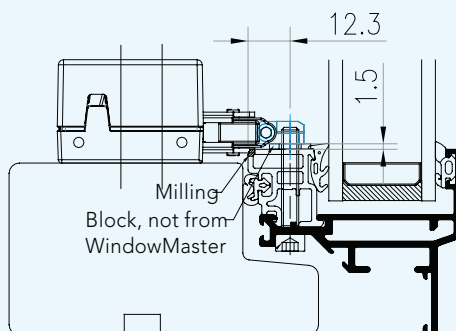


WAB 845



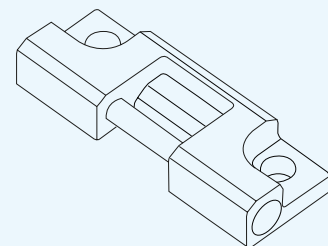
WAB 801

Installation suggestion 6



IMPORTANT!

Mount the actuator so the bottom of the housing faces towards the centre of the window



WAB 801

CHAIN DRIVE ACTUATOR 24V

Dimensions / force

IMPORTANT!
Mount the actuator so the bottom of the housing (marked with a yellow label) faces towards the centre of the window

