

Linear Rack Actuator



24v

750N

550mm*

TECHNICAL CHARACTERISTICS

| | |
|------------------------------|--------------------|
| Voltage | 24V |
| Max torque (thrust/traction) | 750N |
| Stroke length | 550mm |
| Full load current | 1.00 A |
| Travel speed at max load | 8 mm/sec |
| Duration of full stroke | 69 sec |
| Operating temperature | -5°C to +50°C |
| Duty cycle | 50% |
| Parallel connection | Yes** |
| Insulation class | SELV |
| Protection degree | IP55 |
| Colours; | - Silver aluminium |

* Other stroke lengths available in 750 and 1000mm

** Only with suitable and approved control devices



DESCRIPTION

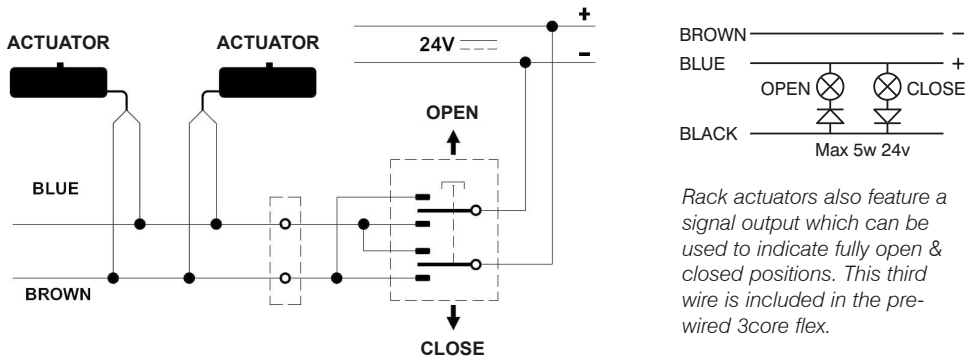
Very powerfull 750N, 230V AC linear actuator suitable for automated rooflight applications where a rigid drive is required to support load.

Conforms to directives: EEC 89/336

- Optional mounting brackets;
 - End-fix standard bracket
 - Adjustable sliding bracket
- Built-in electronic limit switches
- Integral electronic safety stop
- Fixed stroke length
- Can be connected in parallel with other actuators

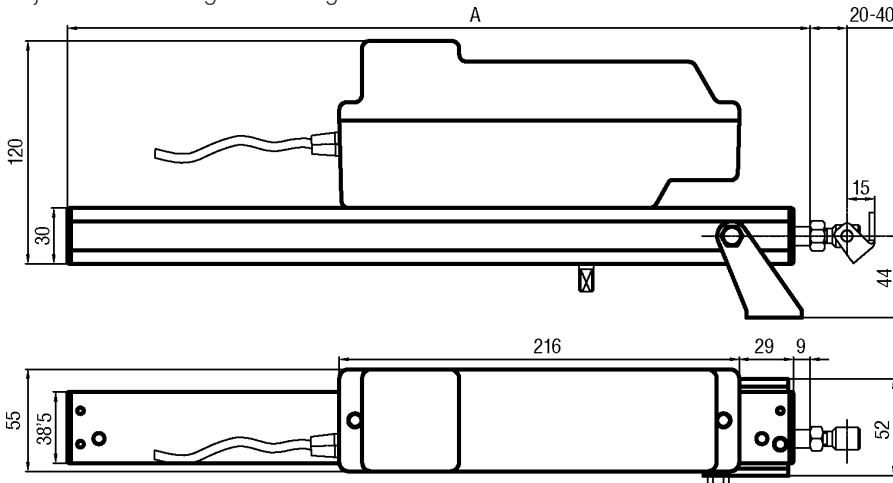


Circuit diagram

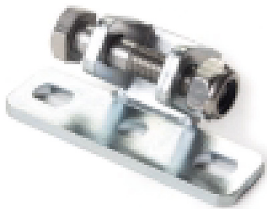
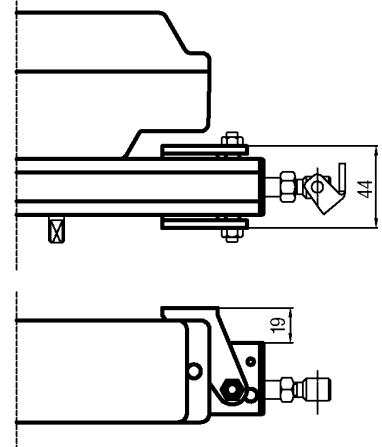


Dimensions

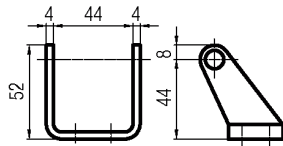
Adjustable mounting with sliding bracket



Alternative mounting with end-fix bracket



Sash fixing bracket



Sliding bracket



End-fix bracket