

FTA600

# FOLDING ARM ACTUATOR 24V



## Description

Powerful 600N, 24V DC folding arm actuator for side hung windows and doors. Designed for automatic opening and closing of door style vents.

3 versions are available suitable for (side hinged only);

- Dual purpose pedestrian/AOV (pedestrian use is manual open/close - must have sprung door closing mechanism.
- AOV doors / windows where up to 90 degrees of opening are required. \*
- Open inwards AOV windows / doors which require up to 90 degrees of opening. \*

NB Use of the actuator should be for AOV use only. The opening of the AOV electrically is not for pedestrian access/

egress. Manual operation of the door only for access/egress using the FTA600 with roller fittings.

- Auto power open and power close
- Opens fully up to 90° \*
- Soft start and soft stop
- Optional feedback signal confirming open and closed
- Can be connected in parallel with other actuators

Pairs of these actuators can be configured to open sequentially where a 'dummy' mullion is attached to one of a pair of windows, requiring one opening leaf to open first, and one opening leaf to close first.

\* The opening angle is determined by the fixing position. See following sheets for details.

Specifications	
Supply voltage	19-32v DC
Quiescent current	~40mA
Max. residual ripple	2 V <sub>ss</sub>
Cut off current when opening	1.4A Max.
Cut off current when closing	0.46A Max.
Max. opening force	600N
Max. closing force	200N
Running time	~30 seconds
Protection degree	IP32
Potential free floating contact	Max: 50V 0.5A

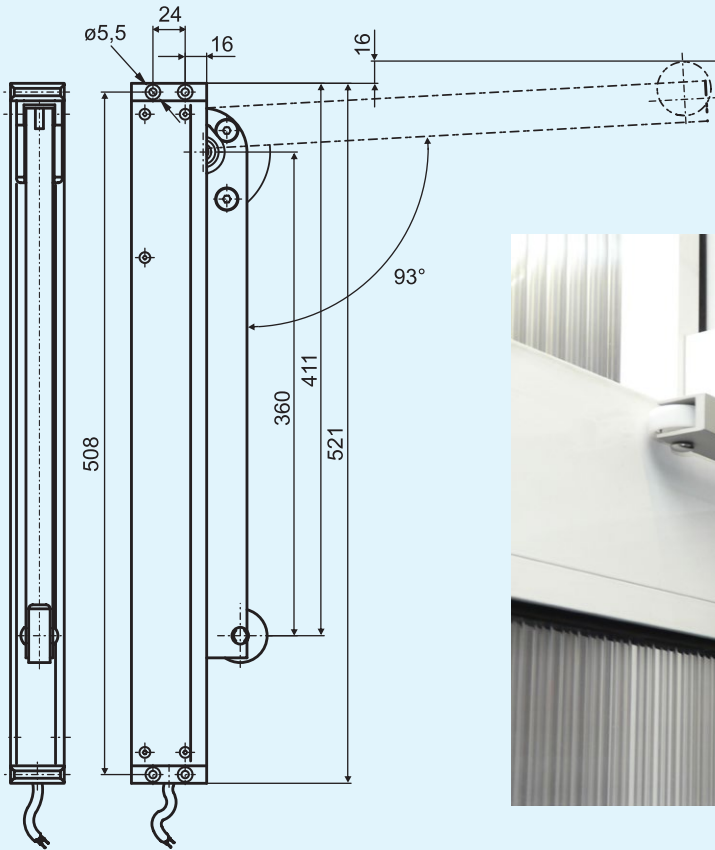
Smoke Control Solutions Ltd - Faraday Court, Faraday Road, Crawley, West Sussex RH10 9PU

Tel: 0845 500 9000 Fax: 0845 500 7000

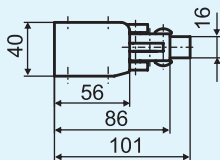
Email info@smokecontrolsolutions.com - Web: www.smokecontrolsolutions.com

# FOLDING ARM ACTUATOR 24V

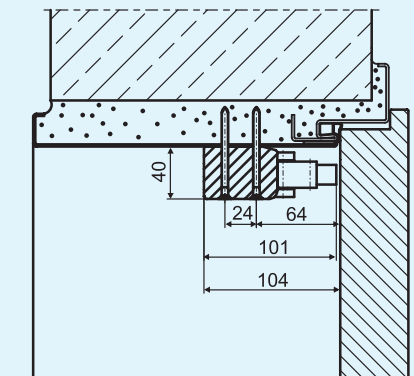
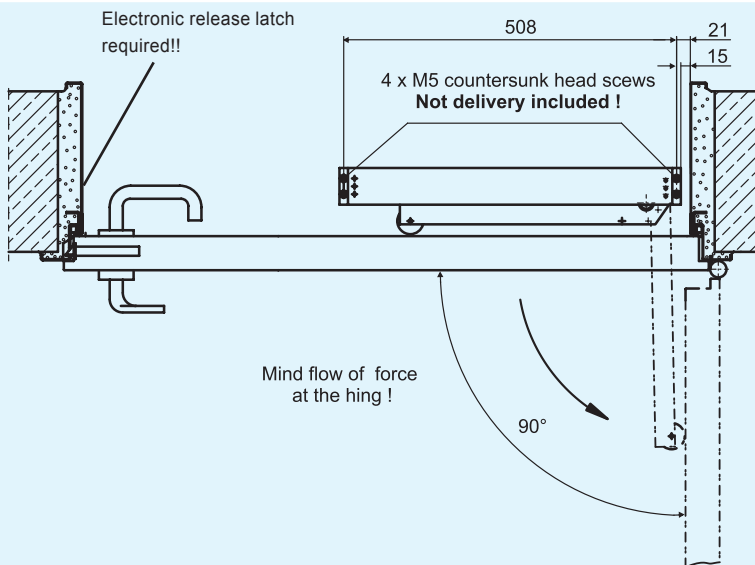
Roller version: (For dual purpose access/AOV doors). Dimensions.



Connection cable (5 x 0,75 mm<sup>2</sup>): approx. 5 m long



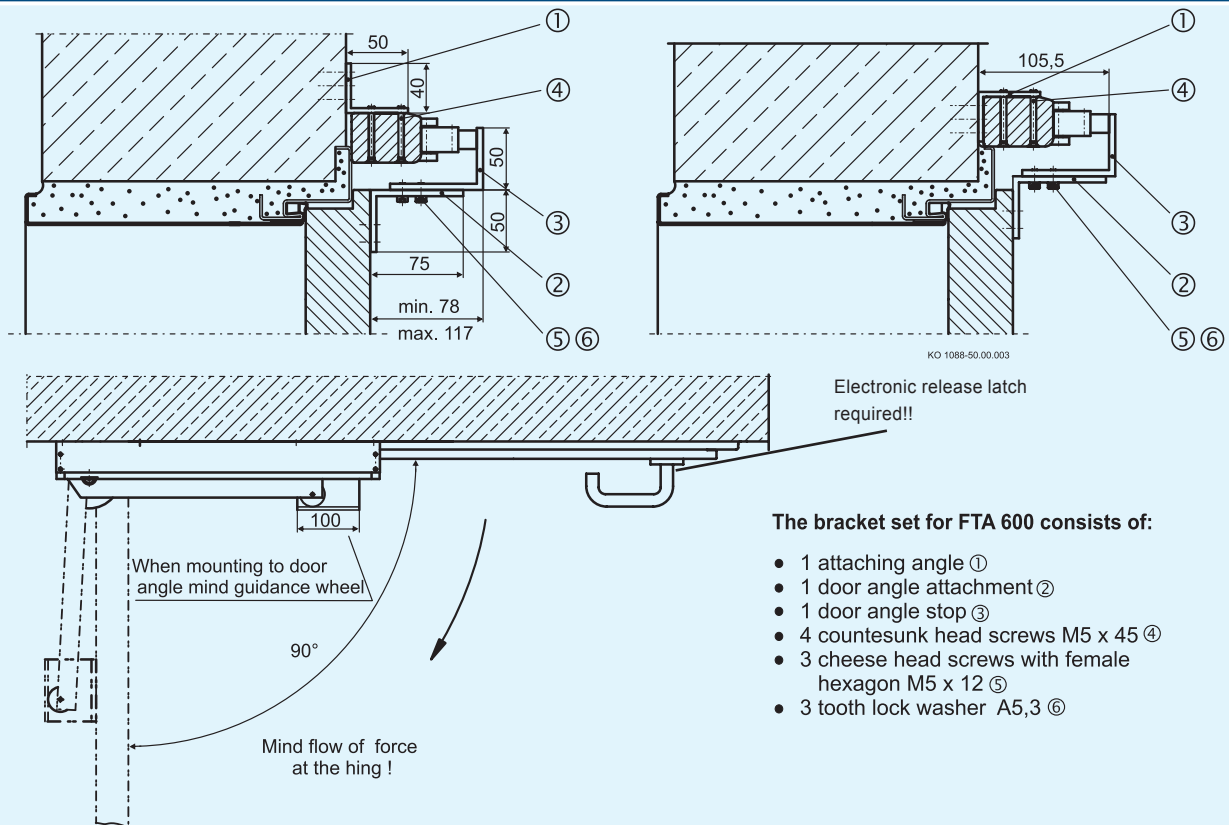
Roller version: (For dual purpose access/AOV doors). Example installation with no brackets:



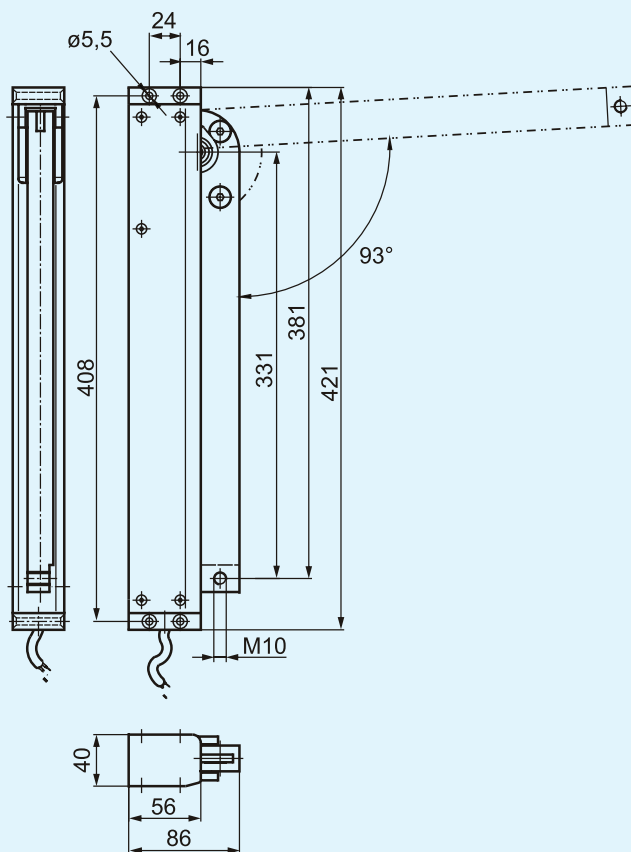
KO 1088-50.00.002

# FOLDING ARM ACTUATOR 24V

Roller version: (For dual purpose access/AOV doors) continued. Example installation with brackets for open inwards:



DF version: (For open and close operation not for pedestian use). Dimensions.



Smoke Control Solutions Ltd - Faraday Court, Faraday Road, Crawley, West Sussex RH10 9PU

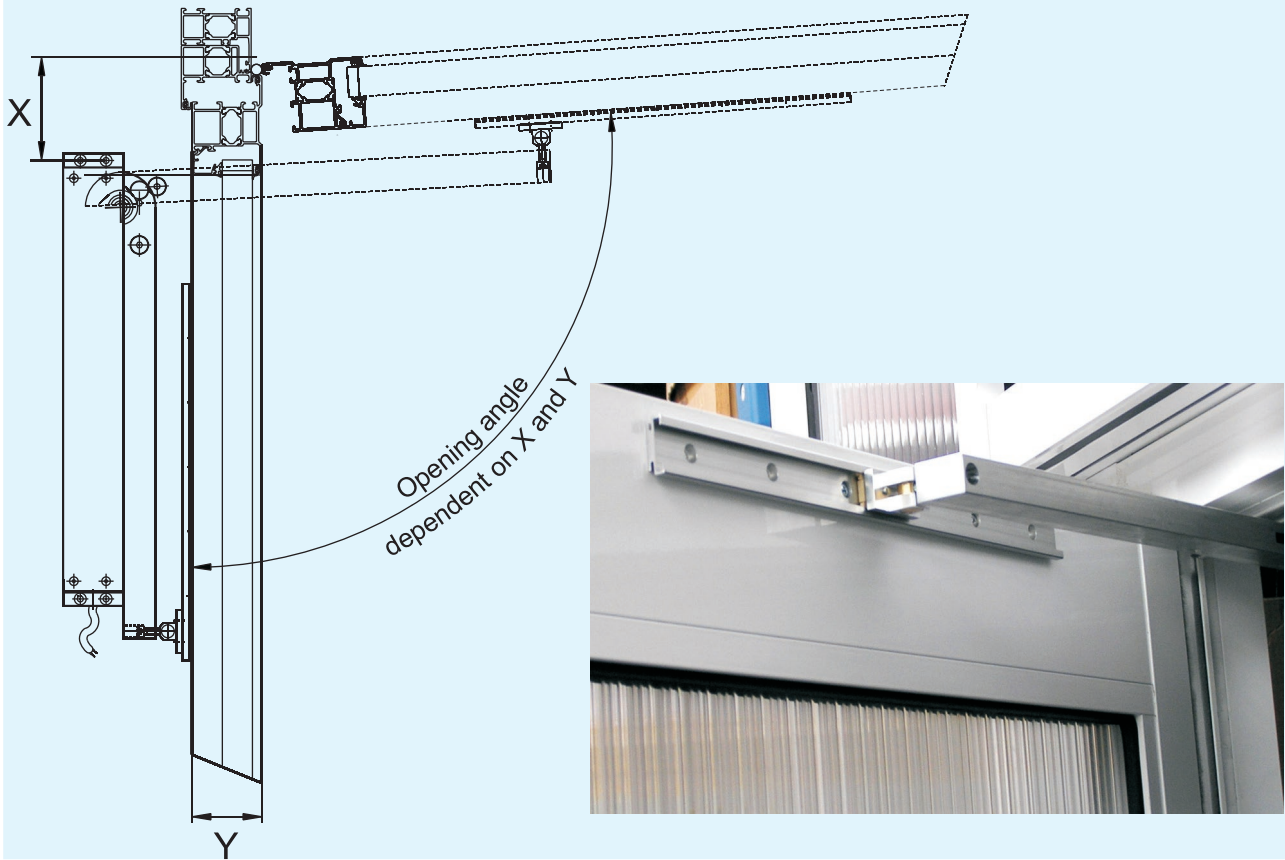
Tel: 0845 500 9000 Fax: 0845 500 7000

Email info@smokecontrolsolutions.com - Web: www.smokecontrolsolutions.com

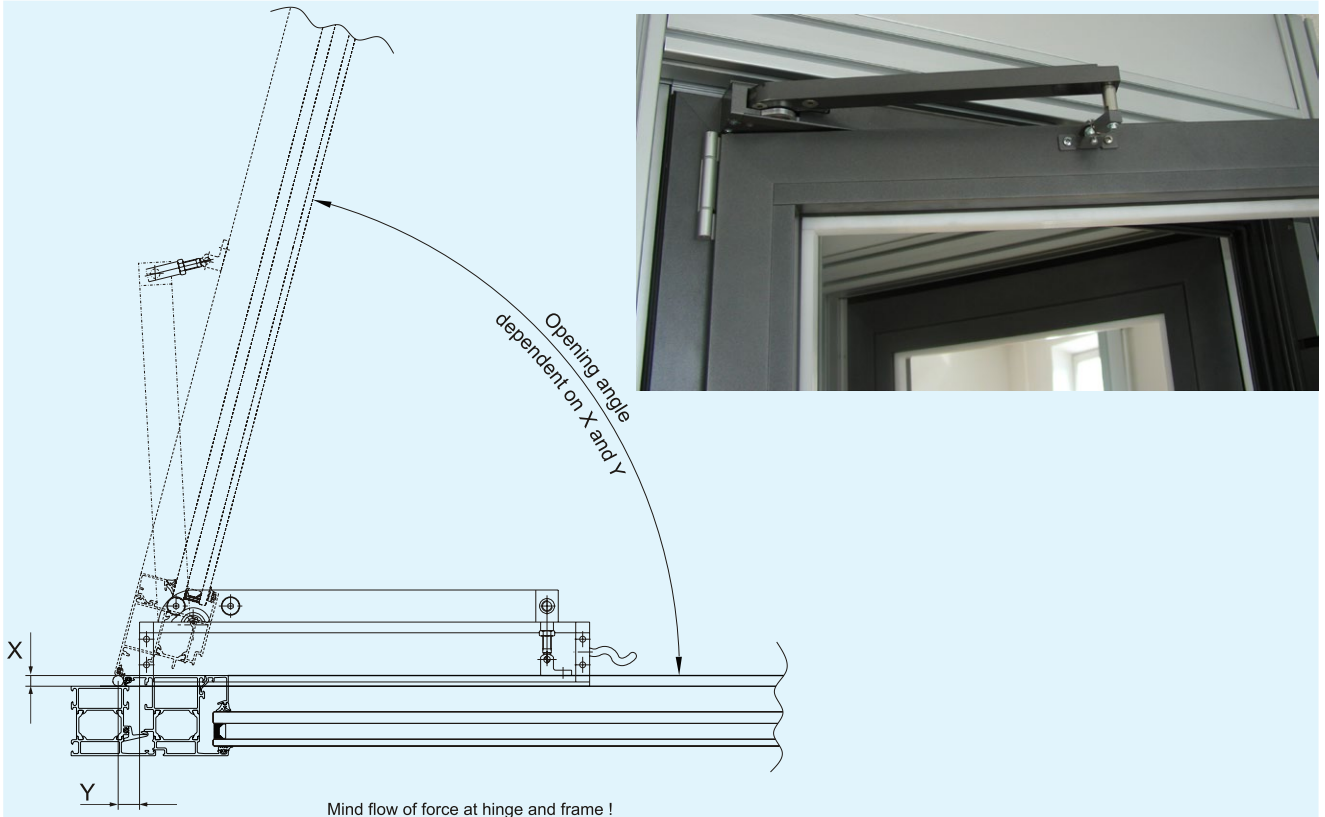
FTA600

# FOLDING ARM ACTUATOR 24V

DF Open outwards version: (For AOV windows/doors side hinged) Not for pedestrian access use



DF Open inwards version: (For AOV windows/doors side hinged) Not for pedestrian access use



Smoke Control Solutions Ltd - Faraday Court, Faraday Road, Crawley, West Sussex RH10 9PU

Tel: 0845 500 9000 Fax: 0845 500 7000

Email [info@smokecontrolsolutions.com](mailto:info@smokecontrolsolutions.com) - Web: [www.smokecontrolsolutions.com](http://www.smokecontrolsolutions.com)

©Smoke Control Solutions Ltd 2013