

SW50

COMFORT VENTILATION SWITCH



Description

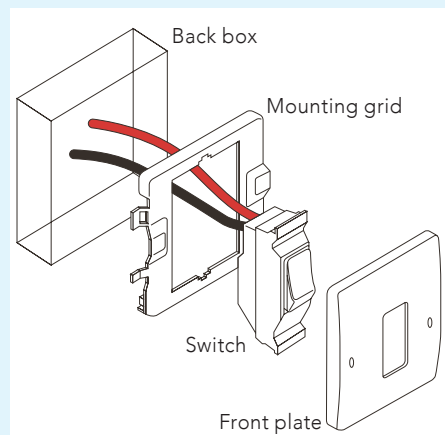
Manual rocker switch for use with mains voltage actuators* and control panels.

Allows manual operation of motorised windows for normal 'day-to-day' comfort ventilation control.

Retractive spring return centre off operation Fits standard BS mounting boxes (min 16mm).

Pre-engraved with 'VENTILATION', 'OPEN' and 'CLOSE' markings.

*For mains voltage actuators, ensure inrush current and maximum current does not exceed switch rating.



Specifications	
Switch positions	3 - Off (centre), open (up) and close (down)
Switch type	SPCO with centre-off (spring return to centre as standard - non-spring return type available on request).
Contact rating	10A @ 230v AC
Fitting	Fits standard UK back boxes

Smoke Control Solutions Ltd - Faraday Court, Faraday Road, Crawley, West Sussex RH10 9PU

Tel: 0845 500 9000 Fax: 0845 500 7000

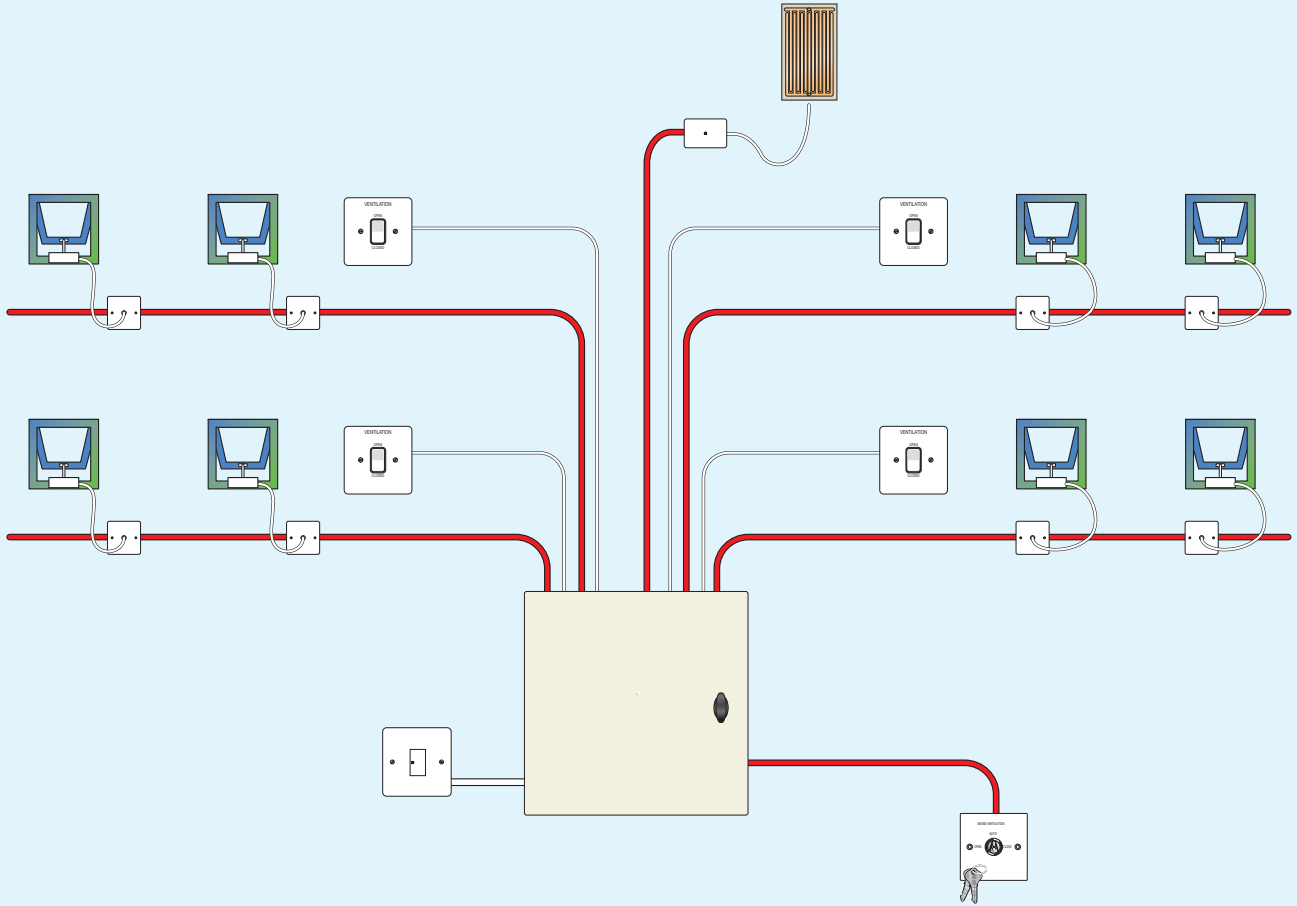
Email info@smokecontrolsolutions.com - Web: www.smokecontrolsolutions.com

©Smoke Control Solutions Ltd 2013

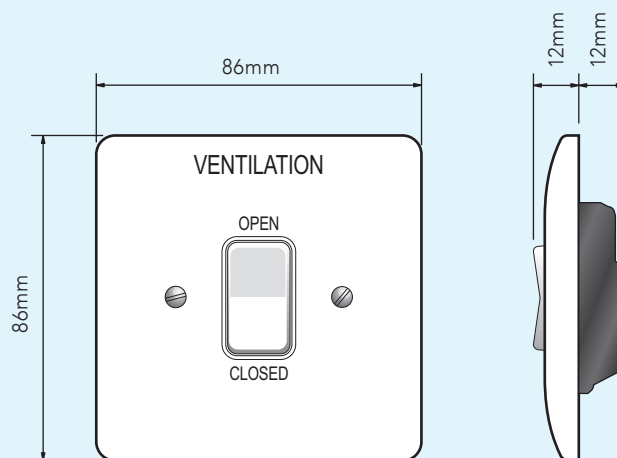
SW50

COMFORT VENTILATION SWITCH

Example diagram



Dimensions



Smoke Control Solutions Ltd - Faraday Court, Faraday Road, Crawley, West Sussex RH10 9PU

Tel: 0845 500 9000 Fax: 0845 500 7000

Email info@smokecontrolsolutions.com - Web: www.smokecontrolsolutions.com

©Smoke Control Solutions Ltd 2013